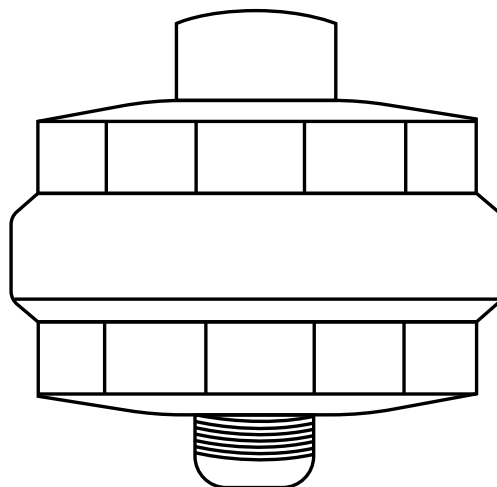


# Brondell®

## Nebia VivaSpring Compact Shower Filter

**Models:** CSF-RB, CSF-BN, CSF-PC, CSF-MB



### Features

Effective reduction of irritating contaminants

Reduces free chlorine, lead, mercury, dissolved solids, and particulates

Effective, 100% KDF copper-zinc filtration

Compact, modern design

Helps prevent shower buildup

Polished Chrome, Rubbed Bronze, Brushed Nickel, and Matte Black finishes

Simple, DIY installation

### Technical Specifications

Filter Capacity	10,000 gal / 37,854 liters
Operating Pressure Range	40-100 psi / 2.76-6.89 bar
Operating Temperature Range	40°F-120°F / 4.4-48.9 °C
Weight	0.71 lbs / 0.32 kg
Dimensions (Dia x H)	3.54" x 2.91" / 8.99 cm x 7.39 cm
Inlet Thread Size	0.5" / 1.27 cm
Outlet Thread Size	0.5" / 1.27 cm
Compatible Cartridges	FF-30
Filtration Media	KDF 55 Process Media

**NOTE:** The specifications listed above are subject to change without prior notice for reasons of improving the product performance.

#24CSF\_0904

**Brondell®**

Feels better already.

Brondell, Inc.  
PO Box 470085  
San Francisco, CA 94147  
brondell.com